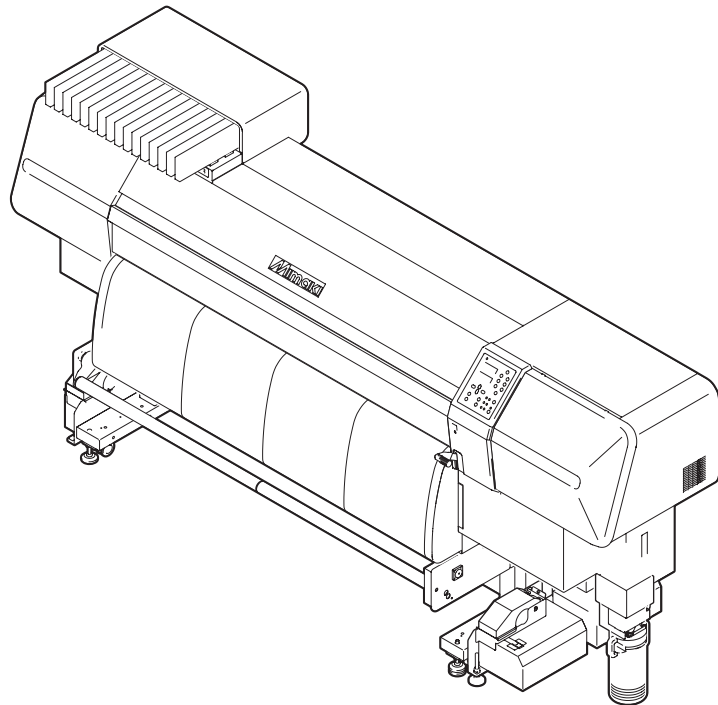


TS5-1600AMF**When AMF Unit is used****OPERATION MANUAL****MIMAKI ENGINEERING CO., LTD.**

TKB Gotenyama Building, Kitashinagawa, Shinagawa-ku, Tokyo 141-0001, Japan

Phone: +81-3-5420-8671

Fax: +81-3-5420-8687

URL: <http://www.mimaki.co.jp>**OPERATION MANUAL**

Foreword

Congratulations on your purchase of TS5-1600AMF.

This manual describes how to set media on this machine with AMF unit.

For printing or settings of this machine, refer to Operation Manual provided with this machine.

TABLE OF CONTENTS

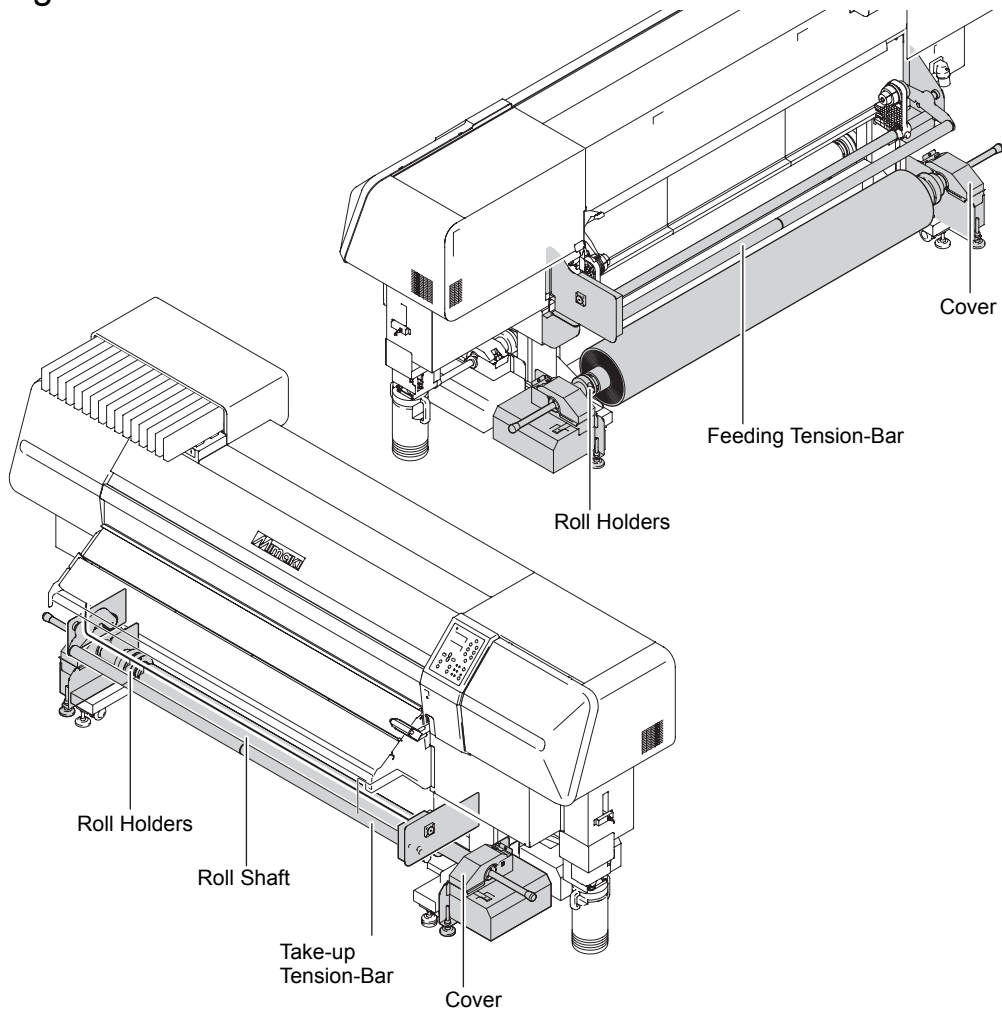
Roll Media Specification when AMF Unit is used	4
Configurations	4
Before using AMF	5
Setting the media on the printer	6
Before setting a medium	6
Set a paper core on the media take-up device	7
Set media on the media feeding device	9
Adjust the tension-bar weight	18

AMF Unit enables the machine to feed/ take-up media automatically.

Roll Media Specification when AMF Unit is used

Item		Specification
Media type		Dye sublimation paper
Max. printing width		1620 mm
Roll Media size	Maximum	1630 mm (64.17 inch)
	Minimum	297 mm
	Thickness	1.0 mm or less
	Roll outside diameter	φ 250 mm or less
	Roll weight	38 kg or less
	Roll inside diameter	3 inches
	Roll end treatment	Gently fixed to the core with weak-adhesive tape or weak glue for easy removal.
Margin		Left end and right end : 15 mm (Default) Front : 150 mm Rear : 0 mm

Configurations



Before using AMF

Check the setting of the main unit side.

From FUNCTION button, perform the operation of MACHINE SETUP → Feeding/TakeUP → UNIT SELECT<ent> and then check the setting is [FEEDING : ON][TAKE-UP : ON].

If the setting is [OFF], no operation will be performed.

In addition, when drawing with small roll holders, not using AMF, set feeding and take-up to [OFF] for the above setting.

Important! ■ Do not use feeding device or take-up device separately as it may cause a drawing defect.

Set the medium feeding setting to Normal.

From FUNCTION button, perform the operation of SET UP → SELECT → MediaFeedSETUP → FEED METHOD<ent> and then check the setting is [SETUP : FNORMAL].

Important! ■ If the feeding setting is not Normal, a problem may occur about the feeding accuracy. Be sure to select Normal.

Setting the media on the printer

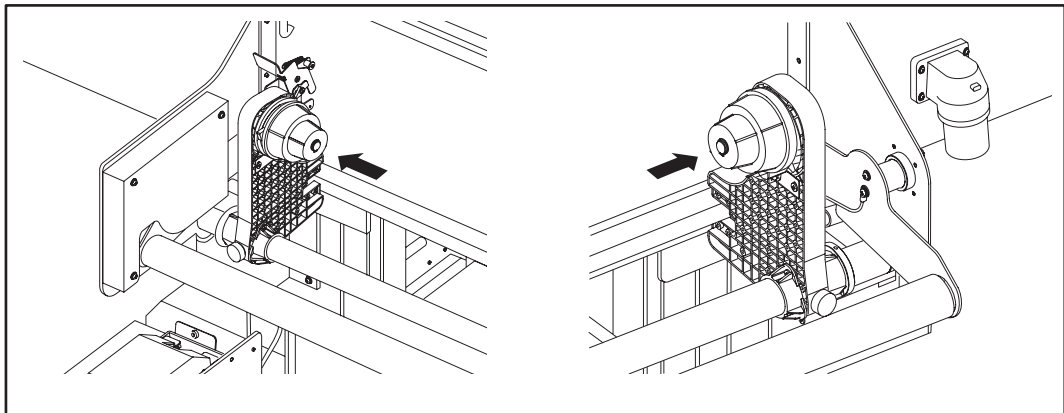
Important!

- If a transparent media is set, the message [ERROR 50 MEDIA DETECT] is displayed and the media may not be detected.
- If the media is exposed to direct sunshine, the media width may not be detected correctly.
- Do not use printed media; otherwise, ink can adhere to pinch rollers and thus media may be stained or may not be detected.
- Significantly or internally curled media must be straightened so that it will be fed properly without floating above the platen.

Before setting a medium

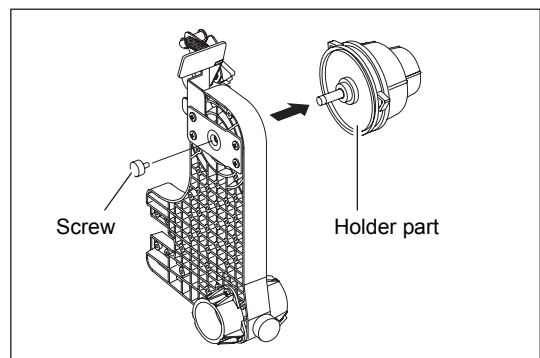
Move small roll holders before setting a medium.

- 1** Move small roll holders outside until they touch the right and left stoppers.



- 2** Remove the holder part of the small roll holder of the origin side.

Loosen the screw shown on the right, and remove the holder part.



Important!

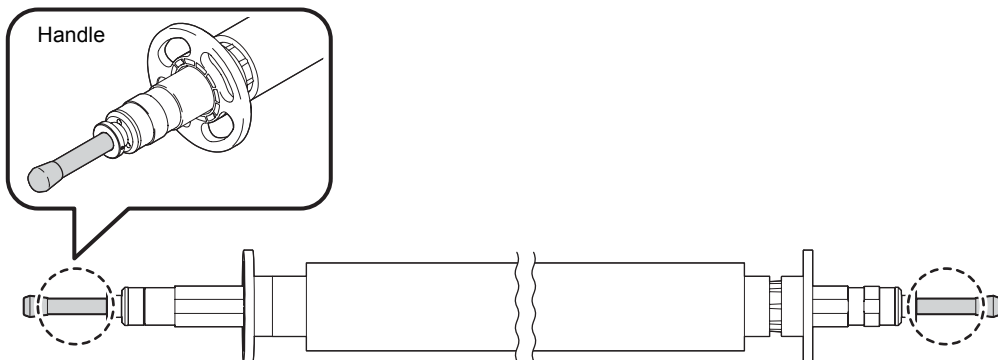
- Store the removed holder part and screws with care so as not to lose them.
- When using small roll holders, return the holder part to the original status and change the setting of the machine. (Refer to P5 "Check the setting of the main unit side".)

Set a paper core on the media take-up device

Set a paper core to take up the media on the media take-up device in front of this printer.

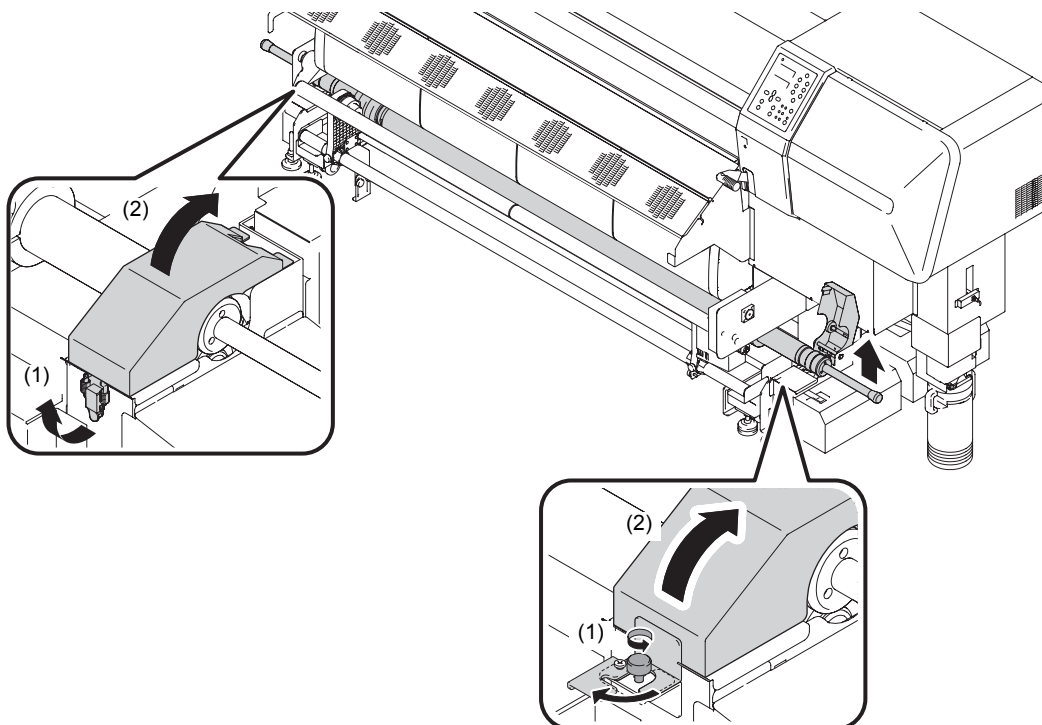


- Since the roll shaft with media is very heavy, handle with care. To prevent the accident or injury, when carrying the roll shaft, be sure to grip handles on the both ends.



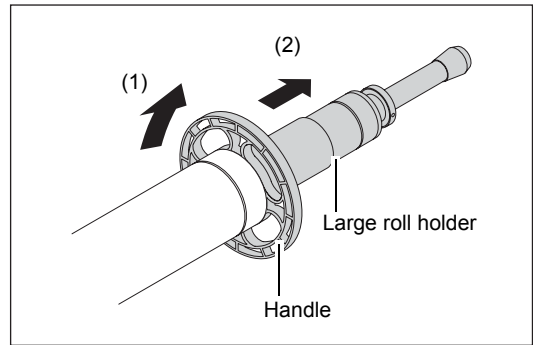
STEPS:

- 1 Open covers on both sides of the media take-up device in front of this printer, then remove the roll shaft.



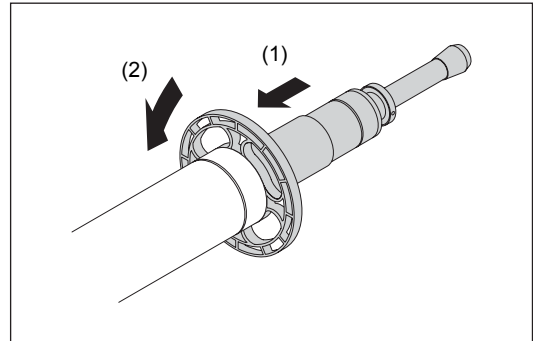
2 Remove large roll holders on both sides of the shaft.

- (1) Rotate the handle and loosen the lock.
- (2) Remove the holders.

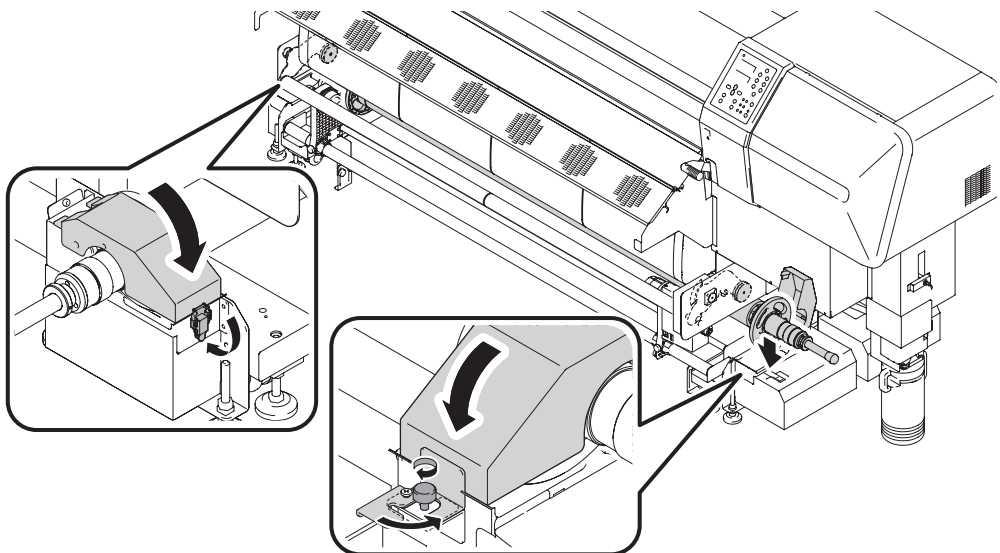


3 Put the roll shaft through a free paper core, and fix large roll holders to the core.

- (1) Fix the large roll holders.
- (2) Rotate the handle and lock the large roll holder.



4 Set the roll shaft on the media take-up device, and close the covers on the right and left sides of the roll shaft.



Next, set media to the feeding side. Go on to the next page.

Set media on the media feeding device

Set a roll media on the media feeding device on the back of this printer.

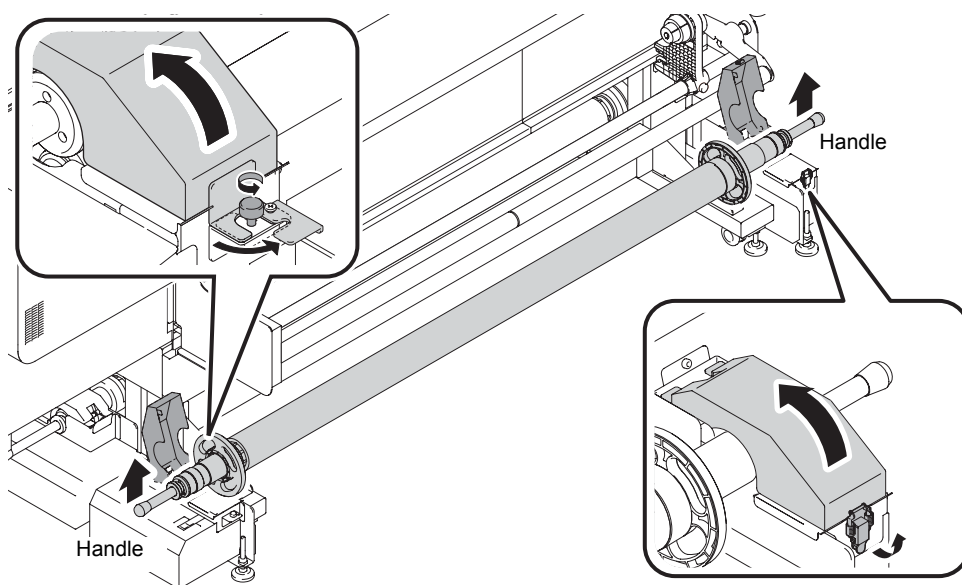


- Be careful not to drop the medium etc. on your feet.
In addition, be careful as you may throw out your back.

STEPS:

1 Take out the roll shaft.

- (1) Open covers on both sides of the media feeding device on the back of this printer.
- (2) Take out the roll shaft to set media.



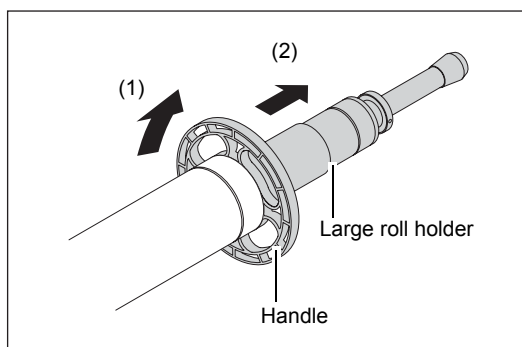
- When carrying the roll shaft, be sure to grip handles on the both ends. Gripping other parts, your hand may get stuck in the printer. Be careful not to hurt your waist.



- To prevent dust, set paper core or media to the roll shaft on the table or sheet. Dust on the paper core or the media may cause defective print.

2 Remove large roll holders on both sides of the shaft.

- (1) Rotate the handle and loosen the lock.
- (2) Remove the holders.

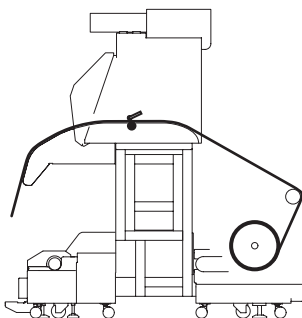


3 Put the roll shaft through the paper core of the media.

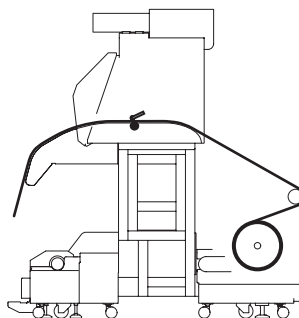


■ Heavy-duty media is normally printed on inner face. Setting direction of the paper core depends on the printing face.

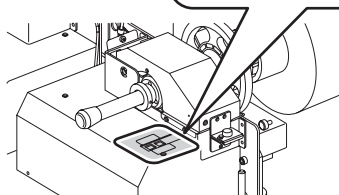
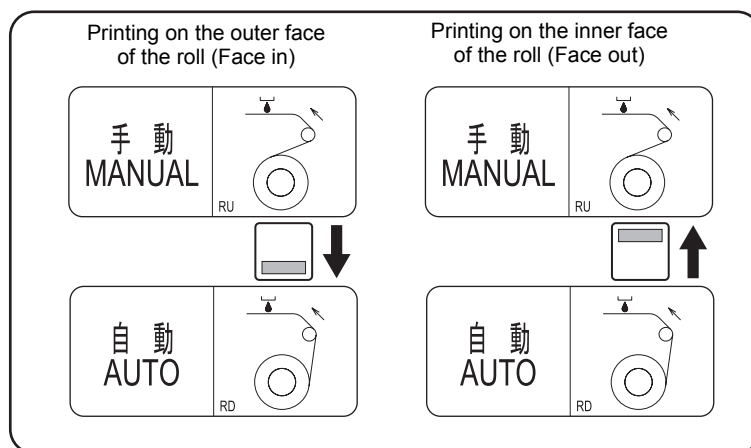
Printing on the outer face of the roll (Face in)



Printing on the inner face of the roll (Face out)

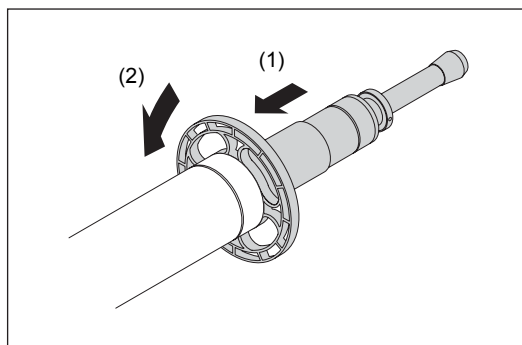


4 Set the switch of the feeding device in conformity to the setting direction of the medium.



5 Mount large roll holders to the medium.

- (1) Fix the large roll holders.
- (2) Rotate the handle and lock the large roll holder.

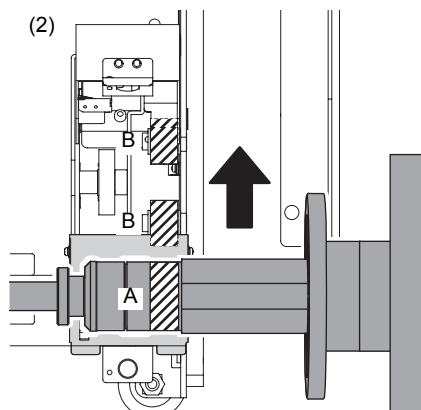
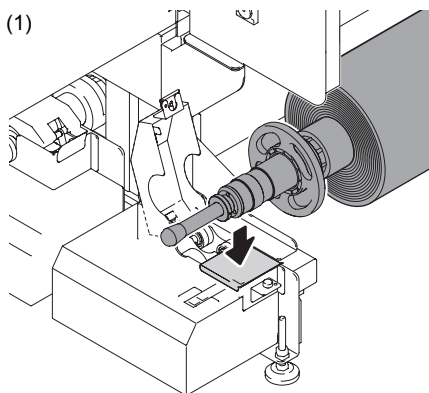


6 Set the roll shaft on the media feeding device.

- (1) Place the roll shaft on temporary setting table (flat place).
- (2) Surely mount the A part (position decision part) of the roll shaft on the B bearing.



- The A part (position decision part) is located only one side of the roll shaft.
- You can set the A part (position decision part) on either feeding device of right and left.



Next, adjust the media. Go on to the next page.

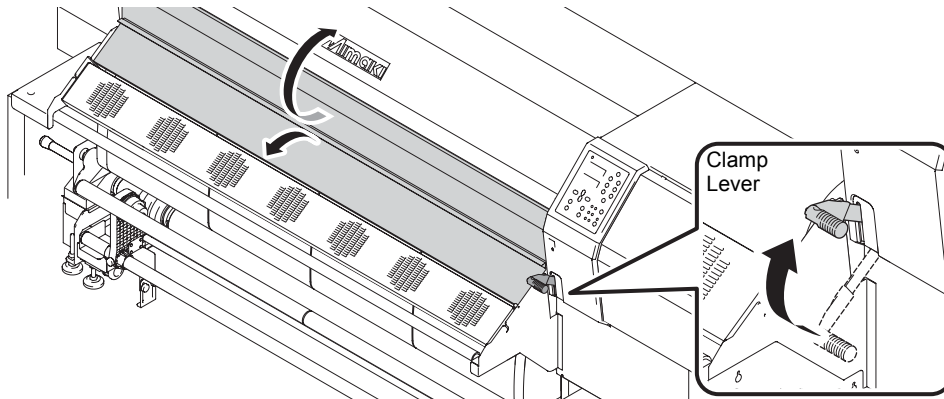
Adjust the media

Adjust the media to start printing.

STEPS:

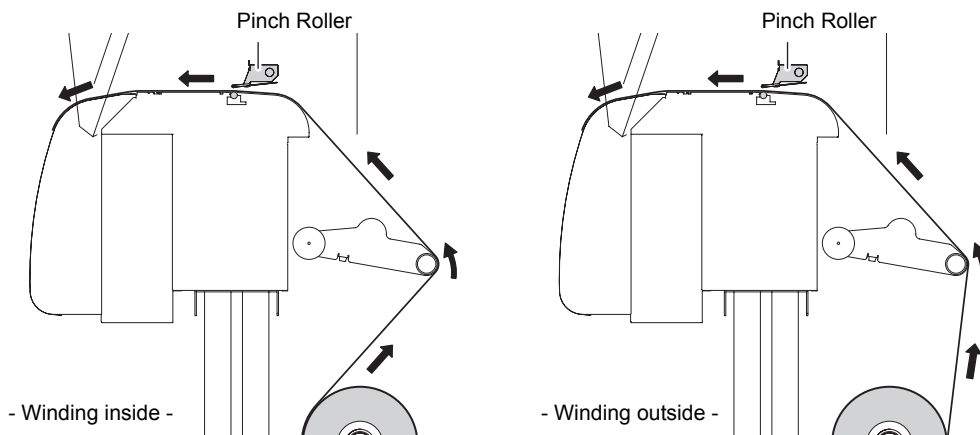
1 Open the front cover.

If the front clamp lever is pushed down, push it up.



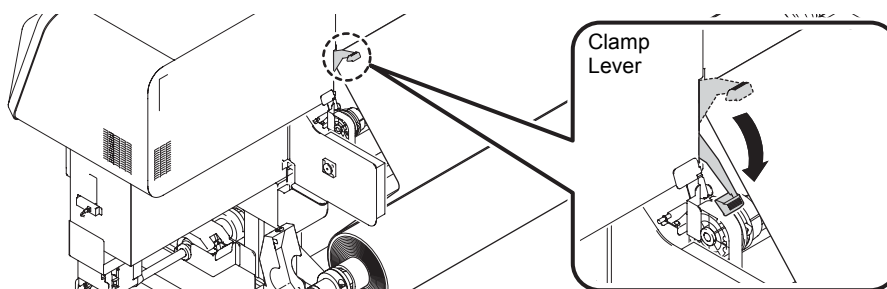
2 Slide the media from the back to the front.

Insert the roll media between the platen and pinch roller, and slide the media to the front.



3 At the back of the printer, push the clamp lever down.

The front clamp lever automatically lowers, and the media is temporary set.

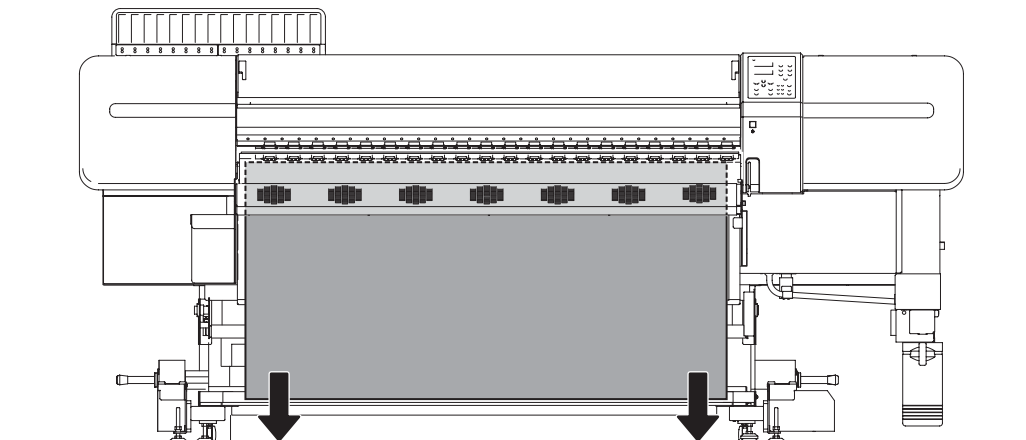


4 At the front of the printer, push the clamp lever up.

Temporarily set of the media is released.

5 At the front, pull out the media.

Hold the both ends of the medium and draw it out until the medium end comes to the position of 20cm to 30cm longer from the floor. (In order to set the medium straight, draw the medium longer.)



Important!

■ Here, check the right and left position of the media.

Confirm the medium end is located at the position of 50mm to 120mm from the platen's right end.

If it is not located at above position, return to Step 4 of P10 and adjust the position.

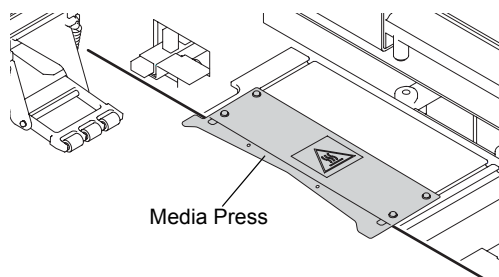
6 At the front of the printer, hold the both ends of the media with the media press lightly, not to be lifted the media.

Important!

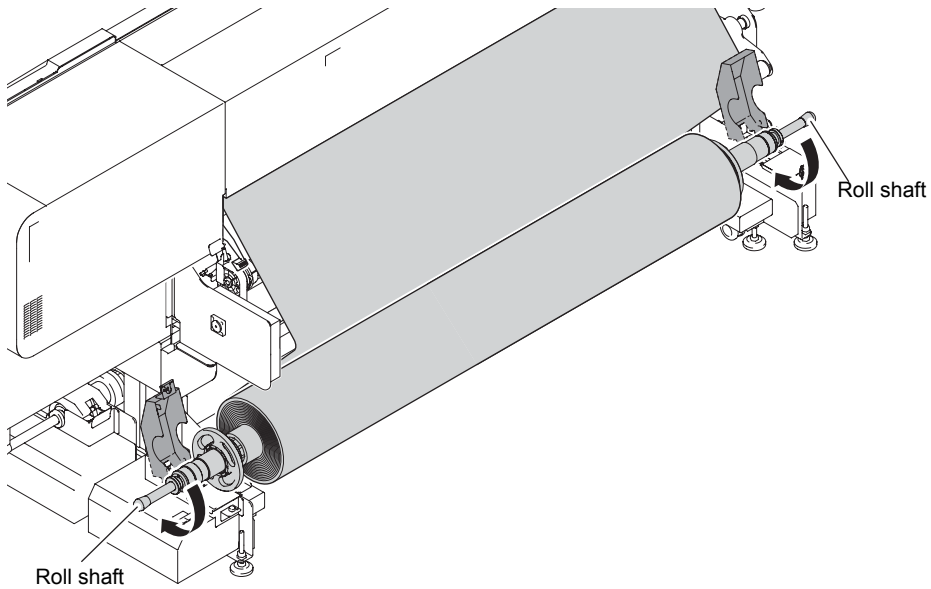
■ Do not push the media press to the end. Set lightly.



■ When using a thick media, remove the media press from the media before printing.

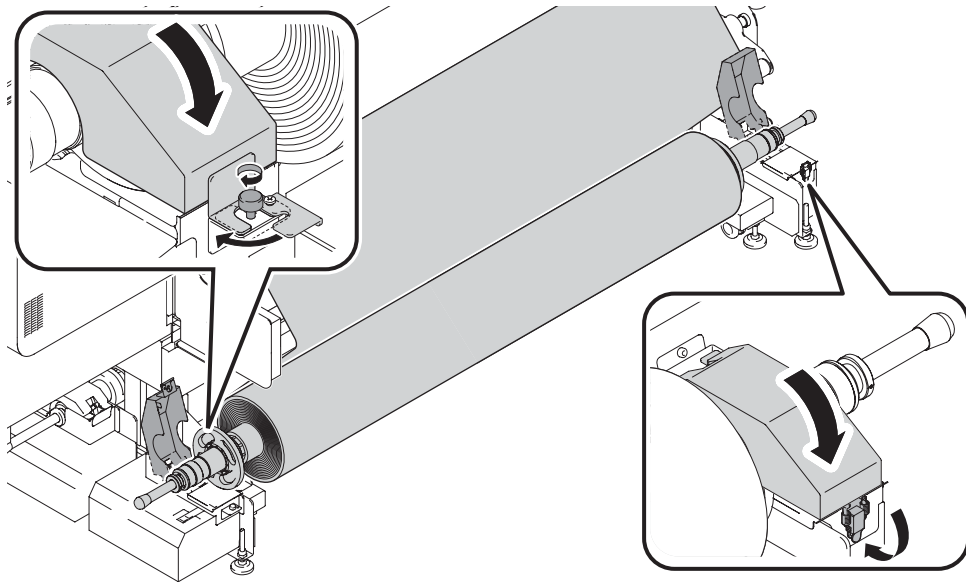


- 7** Go to the back of the device, take up the medium about 30cm to 40cm rotating the roll shaft manually and move the clamp lever downward.

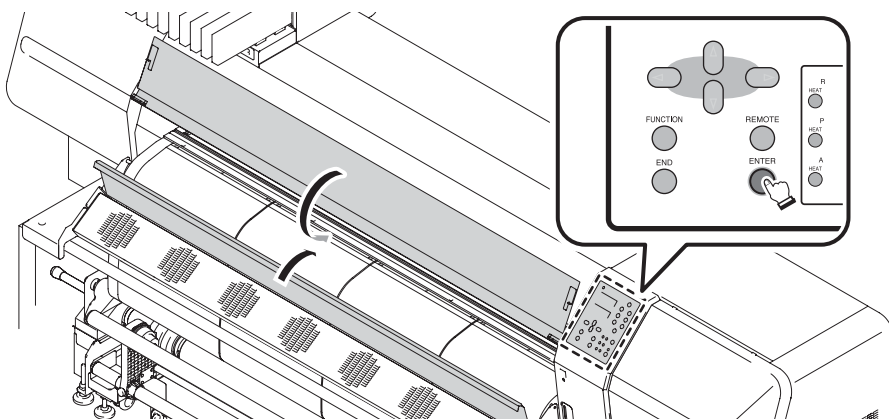


- 8** Push the clamp lever down.

- 9** Close the covers on right and left sides of the roll shaft.

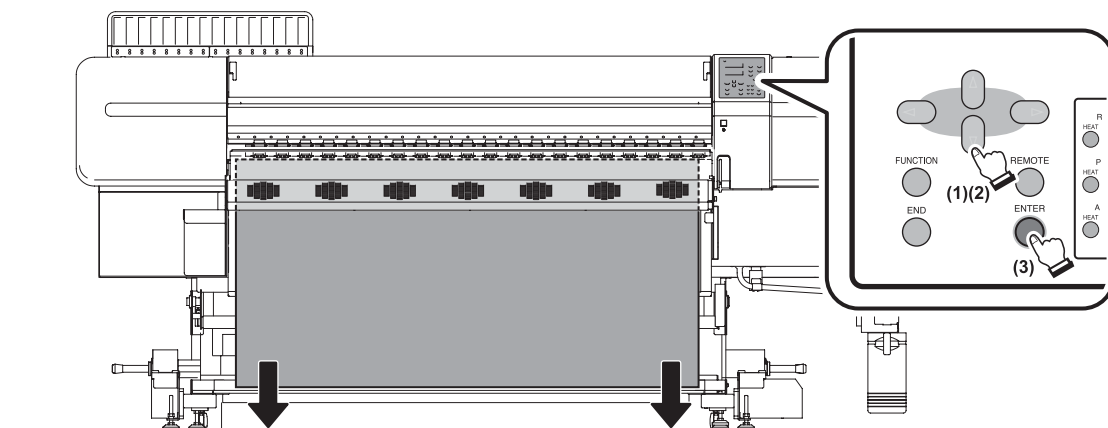


- 10** At the front, close the front cover and press the [ENTER] key.
The printer performs initial operation and displays the standby state.



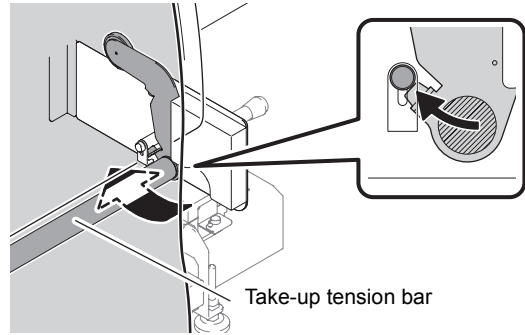
- 11** Feed the media until the head of the media touches the floor.

- (1) Press the jog key [▲] or [▼].
- (2) Press the jog key [▲] [▼] to feed the media.
- (3) Press [ENTER] of the operation panel to stop turning of the take-up device.

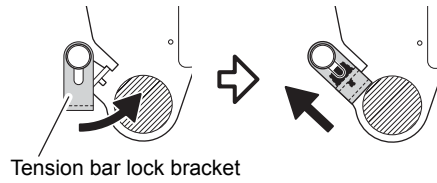


12 Push the take-up tension bar in and fix it at the lock position.

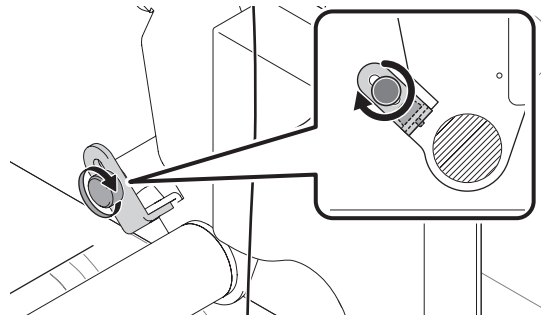
(1) Push the take-up tension bar in.



(2) Hook the tension bar lock bracket on the tension bar, then slide it to the arrow shown at right.



(3) Turn the screw to fix.



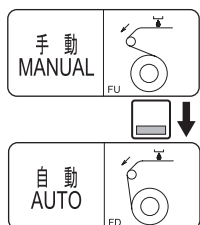
13 Put the start of the media on the paper core with tape.

Put the start of the media on the paper core with adhesive tape. To prevent wrinkle, pulling the media, put some adhesive tapes in order of the number of figure below.

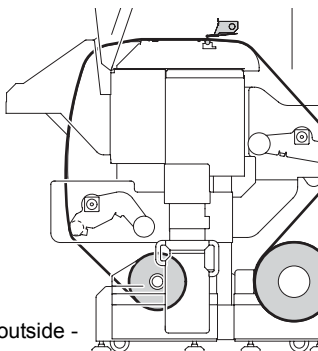


- Media loosening and wrinkle may degrade print quality.
When putting tapes, pull the media to the direction shown below to remove the wrinkle and to tighten the slack.
- If the right and left position of the paper core is improper, return to Step 3 of P8 and adjust the position.
- Media can be taken-up inside or outside.

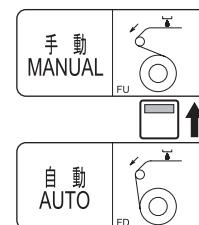
Take-up switch position



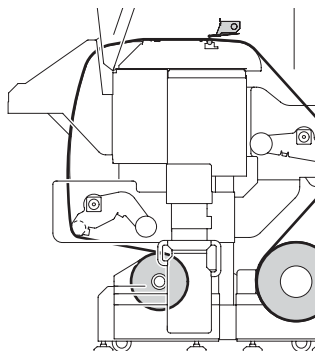
- Winding outside -



Take-up switch position

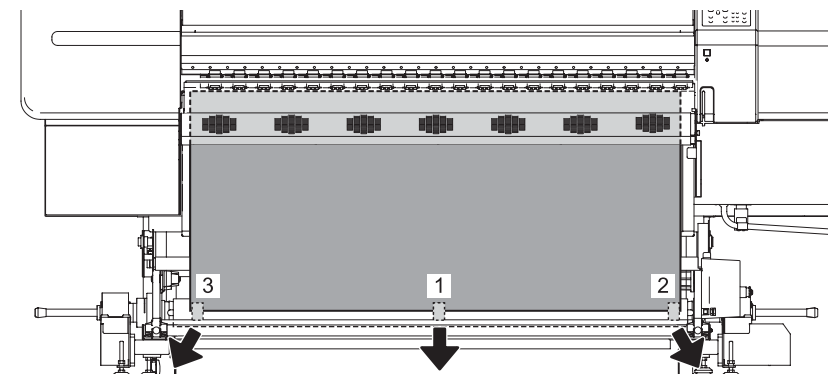


- Winding inside -

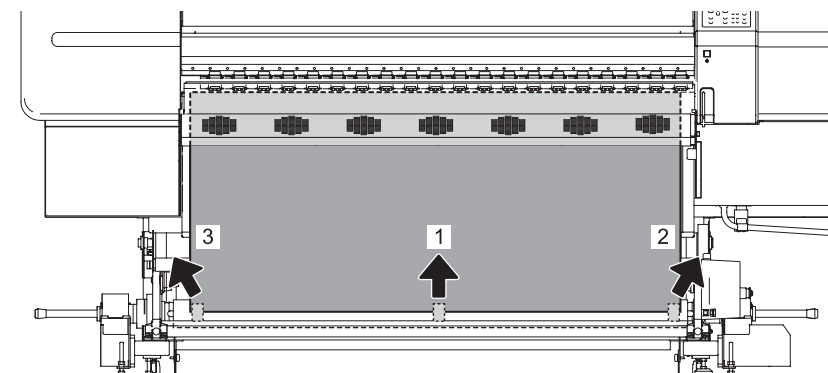


- Taping varies depending on the media winding direction, outside or inside.

Taping for winding outside



Taping for winding inside



14 Unlock the take-up T-bar.

Turn the screw of the T-bar lock BKT to unlock.

15 Press the jog key [▲] [▼] to feed the media set on the feeding device, then roll up the media around the paper core set on the take-up device.

Roll up the media 1 or 1.5 round.

16 Press [ENTER] of the operation panel to stop turning of the take-up device.

Roll media setting has been completed.

Adjust the tension-bar weight

The tension-bar tightens the media, and keeps the media in the right condition for printing.
To the media type used, adjust the tension-bar weight on the take-up side or the feeding side.



- The weight is usually used 4 (2 each on both sides) on the feeding side, and 2 (1 each on both sides) on the take-up side.
- Some types of media may cause troubles (such as the tension to the media is too much or too low). In this case, adjust the number of the weight.

