

UV PRINTER

UJF-3042FX

Daily Care Manual

Request for daily care

Inkjet printer is the precision machine that has highly delicate mechanism. Especially, little dust and paper powder may have effect on a head nozzle firing ink, and may not get normal printing. To use the inkjet printer in good condition, we recommend the following daily care.

Table Of Contents

For safe operation	2
Installation environment and Notes on cleaning	2
Notes on cleaning	2
Cleaning exterior surfaces	2
Cleaning the table	3
At the end of the daily work	4
Head cleaning	4
Nozzle washing	6
If defective printing does not improve	8
The examples of defective printing	8
Cleaning of the wiper	9
How to recover improper discharge from the nozzle	11
When the waste ink tank is full	12
Disposing of the ink in the waste ink tank	12
Disposing of the waste ink in the wiper bottle	14
Avoiding dripping of ink droplet at printing	16
How To Store	18
Storage Of Antifreeze Liquid And Cleaning Solution	18
Storage Of Media	18
Storage Of Ink Cartridge	18

MIMAKI ENGINEERING CO., LTD.

<https://mimaki.com/>

For safe operation

Installation environment and Notes on cleaning

- Use this machine in clean (less dust) environment. The use of fan and ventilator might be because of dusty environment.
They blow dust up dust around the machine.
- As using UV curing ink, install this machine in a well-ventilated area.
- Working environmental temperature is 20 to 35°C (68 to 95°F). Avoid using at lower or higher than this.

Notes on cleaning



- Never disassemble this machine. Disassembling this machine can result in electric shock hazards or damage to this machine.



- Prevent moisture from entering this machine. Moisture inside the machine can result in electric shock hazards or damage to this machine.



- Before starting maintenance work, be sure to turn off the main power switch and unplug the power cable; otherwise, an unexpected accident may occur.
- Perform maintenance after the LED UV has been sufficiently cooled, or burn injury may occur.



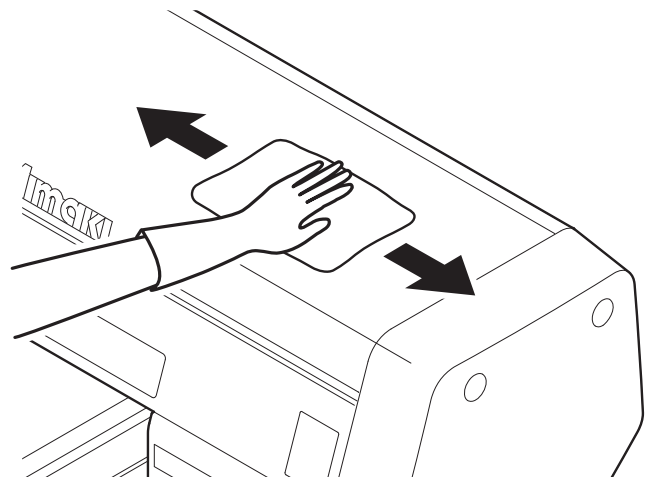
- Do not use benzene, thinner, or any chemical agent containing abrasives. Such materials can deteriorate or deform the surface of the covers.
- Do not apply lubricating oil or the like to any part inside this machine. Such materials can cause this machine mechanism to fail.
- In case water or alcohol mixed into the UV curing ink (UV ink), flocculation would be occurred. Be sure not to adhere water or alcohol not only on the nozzle and also near the head.



- This machine uses UV curing ink (UV ink). When in daily care, be sure to put on the supplied safety glasses and gloves.

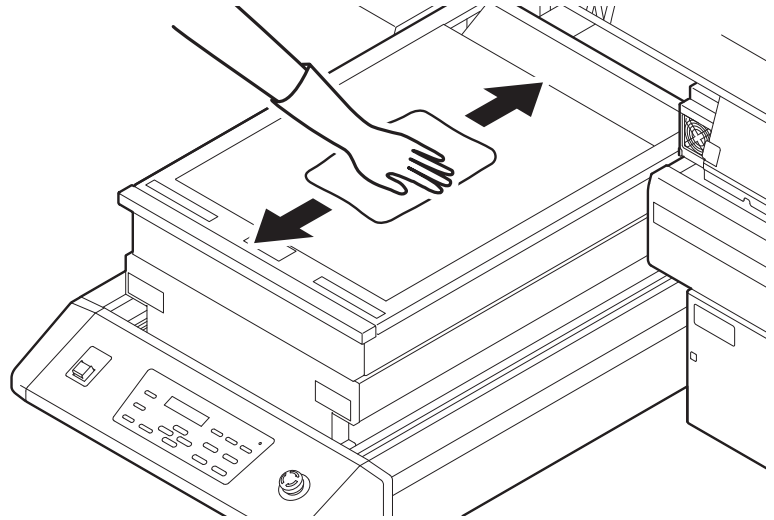
Cleaning exterior surfaces

If exterior surfaces of the machine is dirty, dampen a soft cloth with water or a neutral detergent diluted with water, squeeze it and wipe the surfaces.



Cleaning the table

The table is easy to become dirt with lint, paper dust or the like after cutting media.
For a conspicuous stain, wipe it off with a soft-hair brush, a dry cloth, a paper towel or the like.



Important!

- Be sure to clean the slot on the frame of the table, the screw holes for holding tools or the like since dust and dirt are easily accumulated in these parts.
- Do not allow liquids to get inside the product. Ingress of liquids into the product may lead to failure, electric shock, or fire.



- If it is stained with ink, wipe it off with a paper towel containing a little amount of the cleaning solution.

At the end of the daily work

To prevent nozzle clogging, execute head cleaning and nozzle washing at the end of the daily work.

Head cleaning

1

Press the **CLEANING** key in the local mode.

<LOCAL>

2




Select the head, set execution/non-execution of cleaning, and press the **ENTER** key.

#CLEANING
HEAD [MCYKW^cL]

- (1) Select the head with ◀ or ▶ keys.
- (2) Select execution (displays the head No.) /non-execution (displays “_”) of the head cleaning with ▲ or ▼ keys.
 - Select execution of cleaning for every head.

#CLEANING
HEAD [__YKW^cL]

3

Select [normal] by pressing the  or  key, and press the  key.

```
#CLEANING  
TYPE      :normal
```

4

Press the  key.

- Cleaning is started.
- When cleaning is completed, the mode is returned to the local mode.

Nozzle washing



- Be sure to put on the supplied safety glasses and gloves.

Tools	• UJ Cleaning swab (SPC-0386)	• Gloves	• Safety glasses
	• F-200 / LF-200 Washing Liquid (SPC-0568)		

1 Press the **FUNCTION** key in the local mode.

<LOCAL>

2 Select the **[MAINTENANCE]** by pressing the **▲** or **▼** key, and press the **ENTER** key.

FUNCTION
MAINTENANCE <ENT>

3 Select the **[STATION]** by pressing the **▲** or **▼** key, and press the **ENTER** key.

MAINTENANCE
STATION <ent>

4 Select the **[MENT:NOZZLE WASH]** by pressing the **▲** or **▼** key, and press the **ENTER** key.

STATION
MENT : NOZZLE WASH

- The carriage moves to the center, and the Y-bar moves to the front.

5 Set all the heads to execute washing, and press the **ENTER** key.

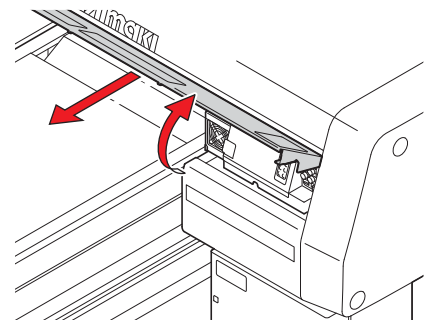
STATION
HEAD [123]

- (1) Select the head with **◀** or **▶** keys.
- (2) Select execution (displays the head No.) /non-execution (displays “_”) of the nozzle washing with **▲** or **▼** keys.

6 Remove the front cover.

- (1) Push the both ends of the front cover.
- (2) Pull the cover to the front while opening upward.

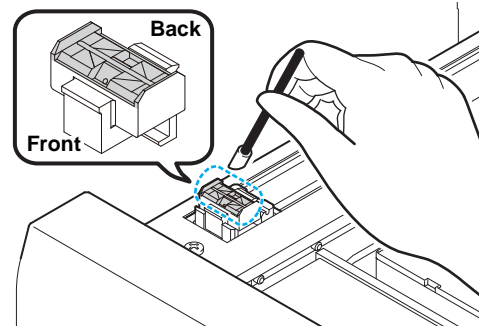
- The wiper moves to the front.



7

Dip washing liquid into the cleaning swab, and wipe dirt of the wiper nozzle.

- Wipe the places shown in the right.



8

Put washing liquid into the dropper, and drop on the caps to fill them.

- Fill the washing liquid into the three caps.



9

Replace the front cover, and press the **ENTER** key.

- Capping is performed and the slider returns to the stand-by position in the back.

Fill the liquid.
COMPLETED :ent

10

Set leaving time by pressing the **▲** or **▼** key, and press the **ENTER** key.

- Usually set 10 min.
(Set value: 1 to 99 min)
- After the leaving time, cleaning is performed.

STATION
LEAVING : 1min



CLEANING ACTIVE
* * *



- Adjust the leaving time depending on frequency of use or dirt of the nozzle.

11

Press the **END** key to finish.

If defective printing does not improve

In the following cases, clean the suction nozzle using the cleaning kit.

- The station interior is severely contaminated.
- Defective printing is not resolved after executing the head cleaning function (☞ P.4).

Contents of the cleaning kit	• F-200 / LF-200 Washing Liquid (SPC-0568)		
	• Gloves	• Cleaning swab (SPC-0384)	• Safety glasses



- When cleaning, be sure to wear the supplied safety glasses and gloves since you may get ink in your eyes.

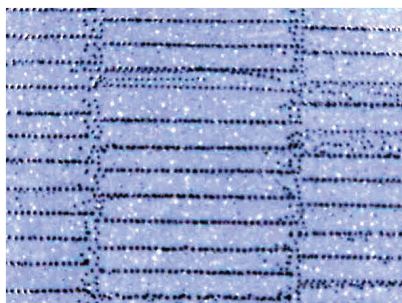


- Do not use alcohol or water.
- If contamination or bending is too severe, replacement of nozzle is required. Ask the service to the dealer or our branch.
- When a new cleaning swab is needed, ask the dealer or our branch for new one.

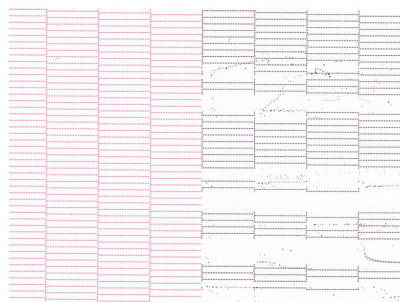
The examples of defective printing

These following examples indicate improper head (nozzle) firing by dust, which effect printing. Confirm the nozzle condition periodically before or during outputting not to use in such as this condition. The nozzle condition can be confirmed with [test print] in this machine.

Deflection



Nozzle out



Ink dropping



Satellite



Cleaning of the wiper

The wiper sweeps ink stuck on the nozzle of the head.
 The wiper becomes tainted with ink or dusts during the operation of this machine.
 In order to keep the head in good condition, clean the wiper frequently.



- When cleaning, be sure to put on the supplied safety glasses and gloves since you may get ink in your eyes.



- Even if you cleaned the wiper, when Nozzle out or Ink dropping cannot be solved, try to replace the wiper.

Tools	• UJ Cleaning swab (SPC-0386)	• Gloves	• Safety glasses
	• F-200 / LF-200 Washing Liquid (SPC-0568)		

1

Press the **FUNCTION** key in the local mode.

<LOCAL>

2

Select the [MAINTENANCE] by pressing the **▲** or **▼** key, and press the **ENTER** key.

FUNCTION
 MAINTENANCE <ENT>

3

Select the [STATION] by pressing the **▲** or **▼** key, and press the **ENTER** key.

MAINTENANCE
 STATION <ent>

4

Select the [MENT:WIPER EXCHG] or [MENT:WIPER CLEANING] by pressing the **▲** or **▼** key, and press the **ENTER** key.

STATION
 MENT :WIPER EXCHG
Firmware Ver.1.0

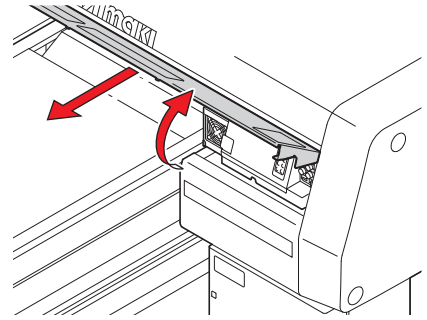
- Select [MENT: WIPER EXCHG] for the Firmware Ver.1.0, and select [MENT: WIPER CLEANING] for the Firmware Ver.1.1 and later.
- The carriage moves to the center.
- The wiper moves to the front.

STATION
 MENT :WIPER CLEANING
Firmware Ver.1.1 and later

5

Remove the front cover.

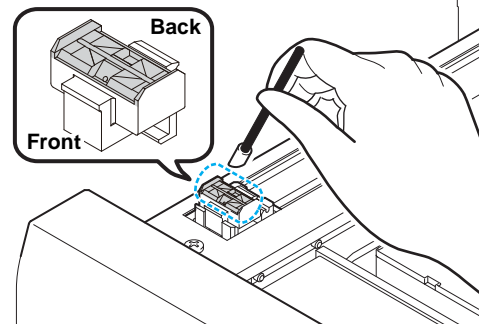
- (1) Push the both ends of the front cover.
- (2) Pull the cover to the front while opening upward.



6

Dip the washing liquid into the cleaning swab, and wipe dirt of the wiper nozzle.

- Wipe the places shown in the right.
- If the dirt of the wiper is heavy, replace the nozzle (SPA-174).
When fitting the nozzle, be careful not to put back to front.



7

After cleaning, replace the front cover, and press the **ENTER key.**

- Initializing starts.

STATION
COMPLETED : ent

8

Press the **END key to finish.**

How to recover improper discharge from the nozzle

When not using this machine for a long time or according to environmental temperature, the nozzle may be unstable in discharging. In this case, follow the procedures below to recover nozzle.



- In case the nozzle does not recover after these procedures, contact with our customer service or agency you purchased, and need to replace heads and so on.

1

Execute daily care.

- Perform daily care to all parts noted on this manual.

2

Execute head cleaning. (👉 P.4)

- Repeat cleaning and test drawing, and confirm the nozzles are not clogged.

3

Execute nozzle washing. (👉 P.6)



- In case nozzle clogging is not resolved with all these procedures, contact with our customer service or make service call to the agency you purchased.

When the waste ink tank is full

Waste ink used for head cleaning gathers in the waste ink tank and the wiper bottle.

Periodically check the waste ink tank and the wiper bottle and when they are full, dispose of the ink.

If warning message such as “!WS INKTANK CHK” or “WIPER BOTTLE” appears, check the waste ink tank and the wiper bottle in the same way.



- If you need a spare waste ink tank, contact a distributor in your district or our office.



- When ink is discharging such as for head cleaning, conduct the operation after the discharging is completed.
- Handle the waste ink tank with care not to spill the waste ink.
- Check the waste ink level in the waste ink tank frequently. Continuing to use the product without disposing of the waste ink may result in waste ink overflowing from the waste ink tank.

Tools	• Gloves	• Safety glasses
--------------	----------	------------------

Disposing of the ink in the waste ink tank

1

Turn the power on.

- After initializing, <LOCAL> is displayed.

2

Press the **FUNCTION** key in the local mode.

<LOCAL>

3

Select the [MAINTENANCE] by pressing the **▲** or **▼** key, and press the **ENTER** key.

FUNCTION
MAINTENANCE <ENT>

4

Select the [STATION] by pressing the **▲** or **▼** key, and press the **ENTER** key.

MAINTENANCE
STATION <ent>

5

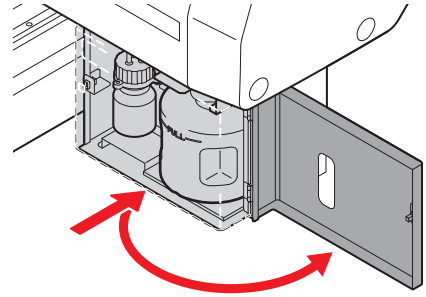
Select the [MENT:WASTE TANK] by pressing the **▲** or **▼** key, and press the **ENTER** key.

STATION
MENT :WASTE TANK

6

Open the waste ink box cover.

- By pressing the cover lightly, the cover opens to the front.



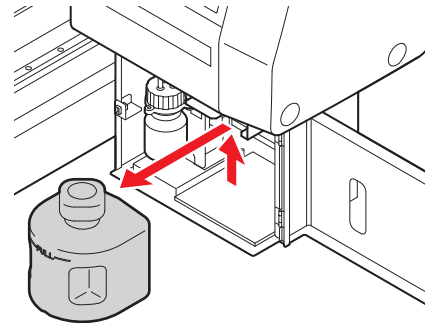
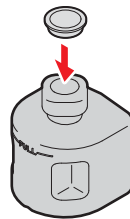
7

Remove the waste ink tank.

- Lifting the tank slightly up, pull it to the front.



- Put a cap on the waste ink tank removed.

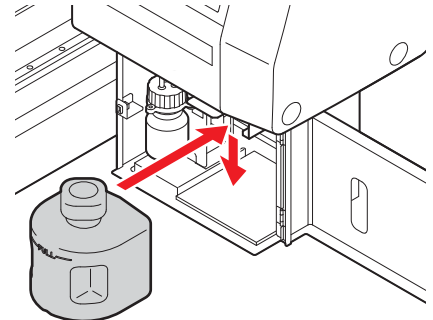


8

Set the new waste ink tank, and close the cover.

- (1) Set the waste ink tank in the reverse order of removing.
- (2) Close the waste ink box cover.

- Dispose of the waste ink pursuant to the regulations of your district.



9

Press the **ENTER key.**

STATION
COMPLETED : e n t

10

Press the **END key to finish.**

Disposing of the waste ink in the wiper bottle

1

Turn the power on.

- After initializing, <LOCAL> is displayed.

2

Press the **FUNCTION** key in the local mode.

<LOCAL>

3

Select the **[MAINTENANCE]** by pressing the **▲** or **▼** key, and press the **ENTER** key.

FUNCTION
MAINTENANCE <ENT>

4

Select the **[STATION]** by pressing the **▲** or **▼** key, and press the **ENTER** key.

MAINTENANCE
STATION <ent>

5

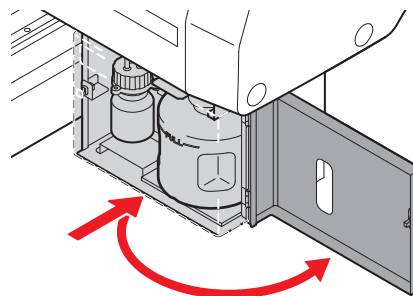
Select the **[MENT:WIPER BOTTLE]** by pressing the **▲** or **▼** key, and press the **ENTER** key.

STATION
MENT :WIPER BOTTLE

6

Open the waste ink box cover.

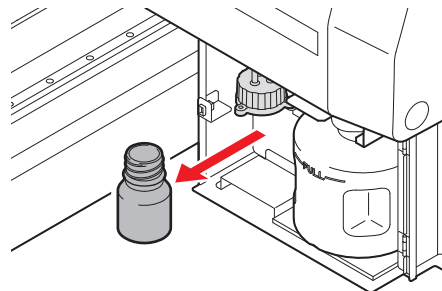
- By pressing the cover lightly, the cover opens to the front.



7

Take the wiper bottle out, and dispose of the waste ink.

- Turn the bottle holding the cover, take out the bottle, and then dispose of the ink in the bottle.
- Dispose of the waste ink pursuant to the regulations of your district.



8

Set the wiper bottle.

- (1) Turn the bottle holding the cover, and close the cover.
- (2) Close the waste ink box cover.

9

Press the  key.

STATION COMPLETED	: e n t
----------------------	---------

10

Press the  key to finish.

Avoiding dripping of ink droplet at printing

Ink droplets from the mist at drawing may arise on the bottom of the carriage. As the ink droplets may drip and stain the media or cause blur or dot missing, clean the bottom of the carriage periodically.

Tools	• UJ Cleaning swab (SPC-0386)	• Gloves	• Safety glasses
	• F-200 / LF-200 Washing Liquid (SPC-0568)		

1

Turn the power on.

- After initializing, <LOCAL> is displayed.

2

Press the **FUNCTION** key in the local mode.

<LOCAL>

3

Select the [MAINTENANCE] by pressing the **▲** or **▼** key, and press the **ENTER** key.

FUNCTION
MAINTENANCE <ENT>

4

Select the [STATION] by pressing the **▲** or **▼** key, and press the **ENTER** key.

MAINTENANCE
STATION <ent>

5

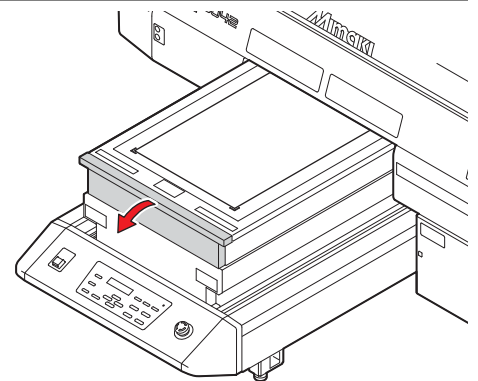
Select the [HEAD MENT] by pressing the **▲** or **▼** key, and press the **ENTER** key.

STATION
MENT :HEAD MENT

- The carriage automatically moves to the center of the front end.

6

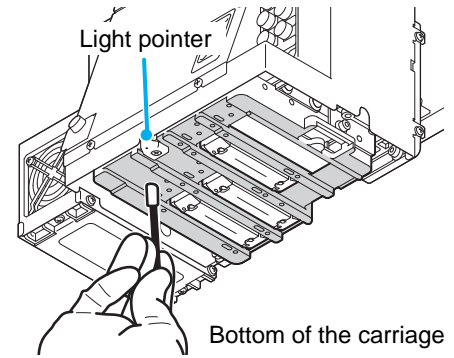
Open the table front cover.



7

Dip the cleaning swab into the cleaning solution, and clean the side surface of the head.

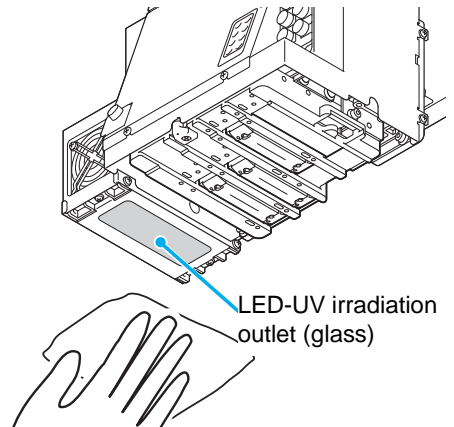
- Do not wipe the nozzle face of the head. It may cause nozzle clogging.
- To buy special cleaning swabs, contact a distributor in your district or our office.



- Be careful not to put the cleaning solution on the light pointer.

8

Dip the TechnoWipe (attached) into alcohol, and clean the LED-UV irradiation outlet.



9

After cleaning, close the table front cover, and press the **ENTER key.**

- Initializing starts.

STATION
COMPLETED : e n t

How To Store

Storage Of Antifreeze Liquid And Cleaning Solution

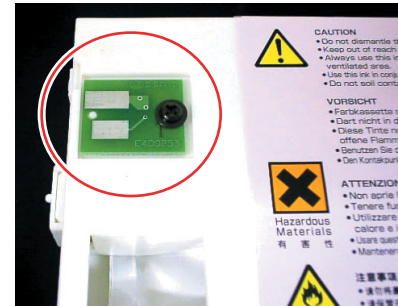
Be sure to store the antifreeze liquid and the cleaning solution in a cold and dark place. Store them in a place that is out of the reach of children.

Storage Of Media

Media should be stored in the little dust area, and not in direct sunlight. Avoid storing the media in the area with high temperature and high humidity.

Storage Of Ink Cartridge

Store the ink cartridge in no direct sunlight or not humid place. As it is a delicate product, do not drop or hit it. The board of the ink cartridge (shown on the right picture) should not be contaminated and avoid electrostatic discharge.





You can also download the latest daily care manual from our website.