

Inkjet printer TS300P-1800

Requests for Care and Maintenance

This machine is a precision machine equipped with extremely fine mechanisms. Especially, the nozzle surface of the heads from which the ink is discharged is affected even by a slightest attachment of dust or paper powder and the proper printing results could not be obtained. With a view to using this machine in a better condition, we would like to recommend performing the following care and maintenance on daily basis.

1. When to care

When to care	What to care	Reference Page
Once a day (at the end of the daily work)	Surroundings of the heads	P.2
	Capping station	P.3
	Wiper	P.4
	Media press	P.5
	Media sensor	P.5
Once a week (at the end of the work on weekend)	Cleaning the Platen	P.6
	Exterior	P.6
	Waste ink tank	P.6
	Ink Discharge Passage	P.7
Replace or clean when it is dirty	Replacing the exhaust BOX filter	P.8
	Replacing the Exhaust BOX	P.9
	Replace the blow down fan filter	P.10
	Replace the spout rubber	P.11
When the Machine Is Not Used for a Long Time	Perform "Storage Wash"	P.14



- Tools required for maintenance
 - Cleaning stick (SPC-0527)
 - Cleaning Liquid 03 MAINTENANCE KIT (ML003-2-K1)
 - Cotton swab
 - Gloves
 - Soft fabric

2. Daily care



- When possible, use the cleaning stick (SPC-0527) for cleaning around the head/ capping station/ wiper. Using the other cotton bud may attach lint, then it may damage the machine.
- Be sure to perform maintenance for the ink cap and the wiper of capping station every day. If you leave it dirty, dirt may adhere to the nozzle surface, or, dust and dry ink may be rubbed against the nozzle. It may cause discharge defect.
- Clean the bottom of carriage every day so that it will not get dirt from inks or dusts. If you leave it dirty, dust and dry ink may be rubbed against the nozzle at wiping operation when performing head cleaning.
- When you clean the carriage bottom surface, fully be careful not to rub the nozzle surface.

(1) Surroundings of the heads ("Cleaning the Head and the Area around It" Chapter 4 of the Operation Manual)

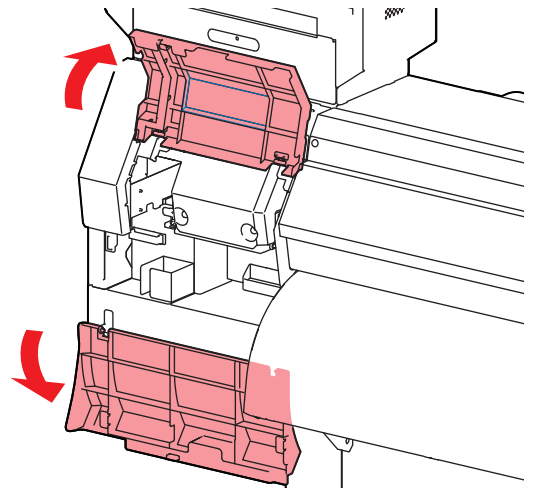
- Cleaning Liquid 03 MAINTENANCE KIT (ML003-2-K1)



- The heads and their surroundings are the parts most liable to be tainted in this machine and if tainted, it could cause adverse effects to the functions of the machine and the results of the printings. Moreover, as the head itself uses very fine mechanisms, sufficient precautions are required for the care and maintenances.

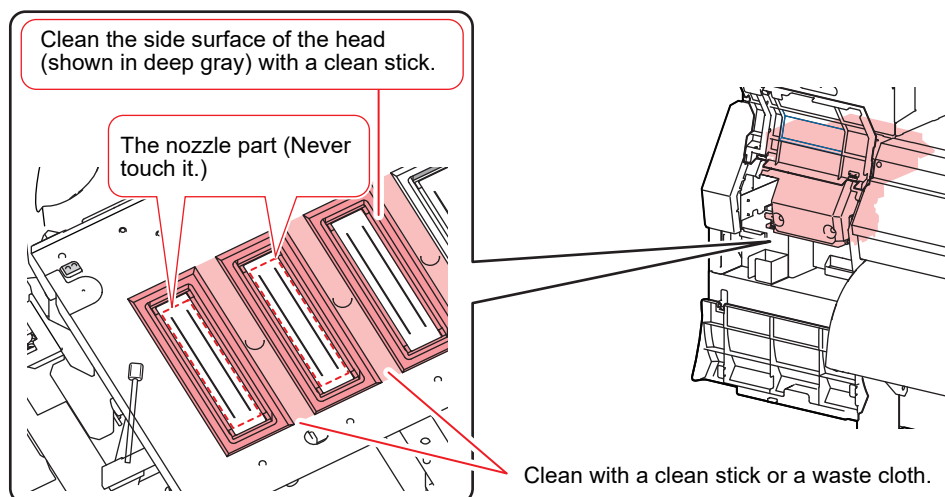
1 Move the carriage to the left and open the maintenance cover.

- Refer to the Step 1 to 2 of Chapter 4 "Cleaning the Head and the Area around It" of the user's manual to perform the operation.



2 Soak the clean stick or the waste cloth in the maintenance cleaning liquid and wipe off an accumulated ink on the side of the head and on the bottom surface of the slider.

- Never rub the nozzles.



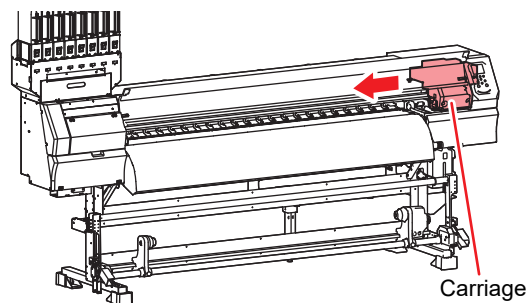
(2) Capping Station ("Cleaning around the wiper" Chapter 4 of the Operation Manual)

The surrounding area of the cap is also liable to be stained by the dust and ink. It is recommended to clean the head frequently using the cleaning liquid for maintenance suitable for the ink used to avoid the stains on the head.

- Cleaning Liquid 03 MAINTENANCE KIT (ML003-2-K1)

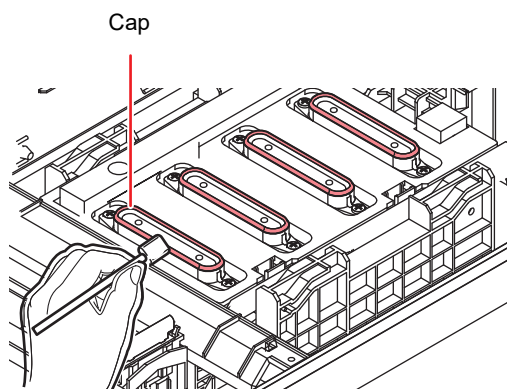
1 Move the carriage and open the maintenance cover.

- Refer to the Step 1 to 2 of Chapter 4 "Cleaning around the wiper" of the user's manual to perform the operation.



2 Clean the cap.

- Dip the clean stick into the cleaning liquid for maintenance and wipe off the cap. Wipe off so that cleaning solution for maintenance will not remain.



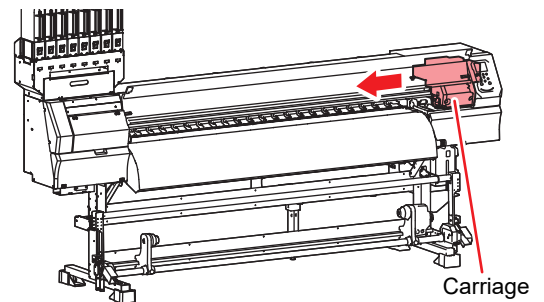
(3) Wiper ("Cleaning around the wiper" Chapter 4 of the Operation Manual)

On the wiper, the ink, dust and paper powder are liable to accumulate. Check the state of the wiper and if it is stained, clean it.

- Cleaning Liquid 03 MAINTENANCE KIT (ML003-2-K1)

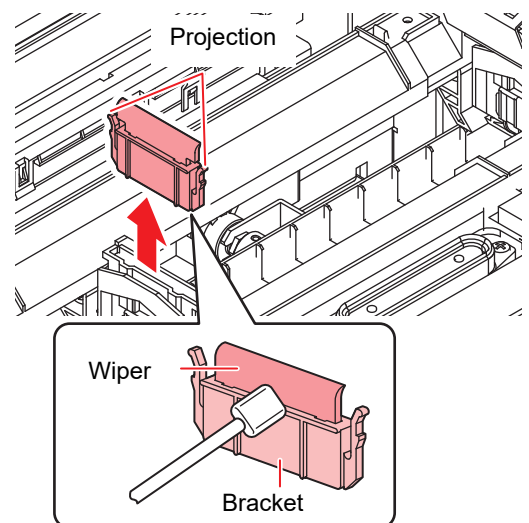
1 Move the carriage and open the right maintenance cover.

- Refer to the Step 1 to 2 of Chapter 4 "Cleaning the Wiper and Cap" of the user's manual to perform the operation.



2 Clean the wiper.

- Remove the wiper by holding the protrusions at its both ends.
- Wipe off the ink sticking to the wiper and bracket with a clean stick dipped in cleaning solution for maintenance. Wipe off so that cleaning solution for maintenance will not remain.

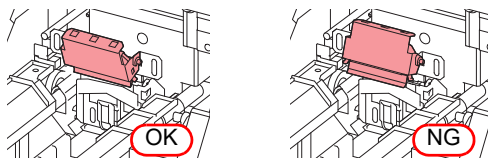
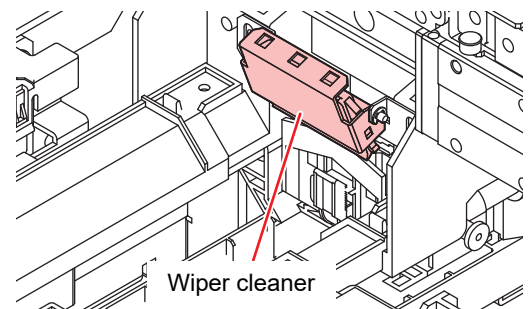


3 Clean the wiper cleaner

- Wipe off the ink sticking to the wiper cleaner with a clean stick dipped in cleaning solution for maintenance. Wipe off so that cleaning solution for maintenance will not remain.



- Do not remove the wiper cleaner from the bracket.
- Only clean the front surface on the wiper cleaner's wiper. (You do not need to clean the rear surface.)
- After the wiper cleaner cleaning, make sure that the cleaner is not facing up.



Further, in the cases as explained below, replace the wiper with the new one (SPA-0271) in accordance with "Replacing the wiper" on Chapter 4 of the Operation Manual.

- When the wiper is deformed
- When the stuck ink can not be wiped off
- When the warning for wiper replacement is indicated

(4) Media press ("Cleaning the Media Press" Chapter 4 of the Operation Manual)

When the cut dust of the media and other dusts accumulate between the media holder and the platen, it could cause the risks that the transfer of the media could not be performed properly or such dusts stick to the nozzles and this could interfere the proper printings. You are recommended to clean it frequently.

(5) Media sensor ("Cleaning the Media Sensor" Chapter 4 of the Operation Manual)

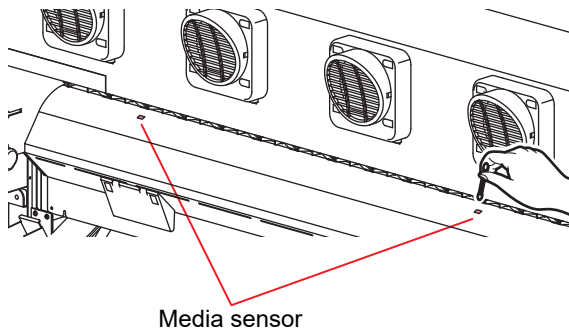
The media sensors are located on the platen in the backside and the bottom surface of the head.

If the dusts and ink accumulate on the sensor, it could cause false detection of the media or the register mark. Wipe off the sensors with soft cloth or clean sticks.

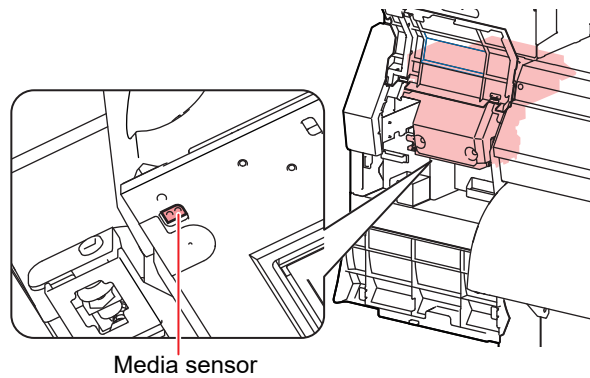


- For the cleaning of the media sensors, never use the solvent.
- When the sensor is heavily stained, wipe off with a cloth soaked in the waterdiluted neutral detergent.

The backside of the machine



The lower surface of the head

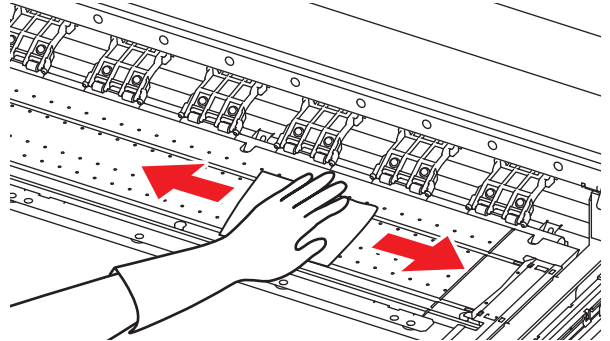


3. Periodically care (Once a week)

Users are advised to perform the maintenance works described below once a week so that the printer will keep its high performance and accuracy over an extended period of its life.

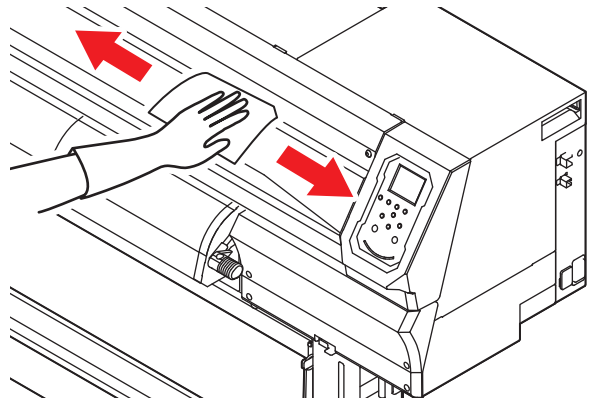
(1) Platen (“Cleaning the Platen” Chapter 4 of the Operation Manual)

Platen is a place where dusts, paper powder, and ink are liable to accumulate. It is therefore suggested to clean it frequently. Wipe out the platen surface and the platen cover with a soft brush or cloth. The grooves for media holder and for cutting the paper (cutter line) are the place where the dusts are especially liable to accumulate. Clean them thoroughly.



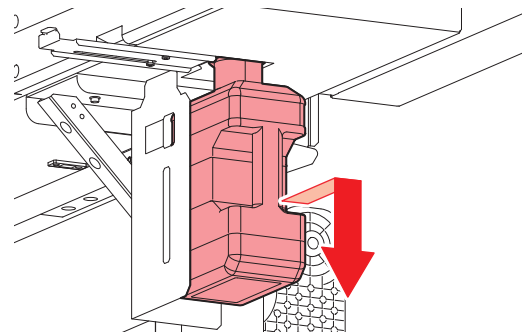
(2) Exterior (“Cleaning the Exterior Surfaces” Chapter 4, Operation Manual)

Depending on the using environment, the dusts or sand powder could stick to the exterior of the main unit. To avoid the entry of the dusts into the moving part of the head, wipe them off with soft cloth dipped into water and squeezed tightly.



(3) Waste ink tank (“If a Waste Ink Tank Confirmation Message Appears” Chapter 4 of the Operation Manual)

Check whether the waste ink tank is full or not. Take care so that the waste ink never overflows the tank.



(4) Ink Discharge Passage (“Washing the Ink Discharge Passage” Chapter 4 of the Operation Manual)

Wash the ink discharge passage (DISWAY WASH) regularly (about once a week) to prevent the head nozzles from clogging due to ink coagulation inside the passage.

- Important!**
- Before washing the ink discharge passage, make sure that the maintenance washing liquid is set. If the maintenance washing liquid is not set, washing operation will not be conducted and the passage could be clogged.

1 Select “MAINTENANCE” menu → “STATION” → “DISWAY WASH”.

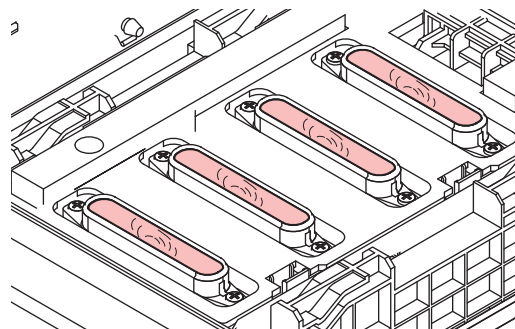
- Refer to the Step 1 to 3 of Chapter 4 “Washing the Ink Discharge Passage” of the user’s manual to perform the operation.
- The carriage will move onto the platen.

2 Press **ENTER** key.

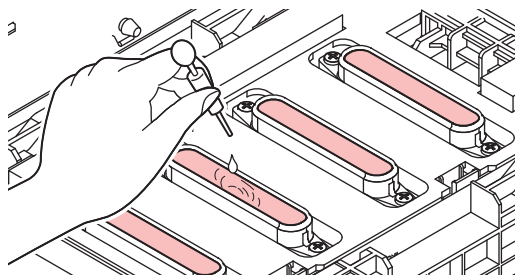
- Dry suction operation is performed repeatedly until the washing work is completed.

3 Fill up the cap with cleaning solution for maintenance.

- If the cleaning solution cartridge is usable, maintenance solution is automatically filled. If there is not enough maintenance solution, suck maintenance solution into a dropper and fill up the cap with it.



- If the cleaning solution cartridge is not usable, suck maintenance solution into a dropper and fill up the cap with it. Fill up the cap with maintenance solution on the verge of overflow from the cap.



4 Press the **ENTER** key.

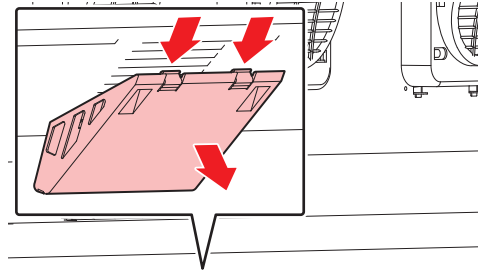
4. Replace or clean when it is dirty

(1) Replacing the exhaust BOX filter

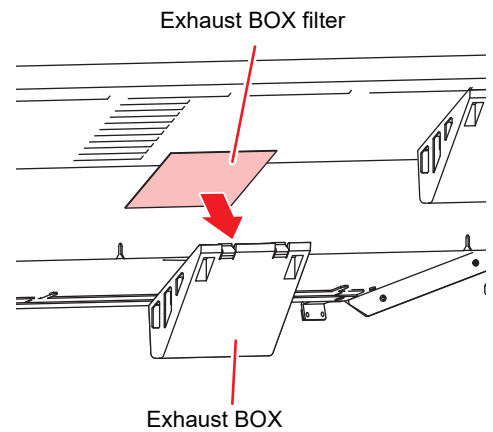
Replace the exhaust BOX filter (SPA-0249) when it is dirty with ink.

1 Remove the tabs (2 locations) on the exhaust BOX.

- There are tabs engaged at the rear of the exhaust box also.

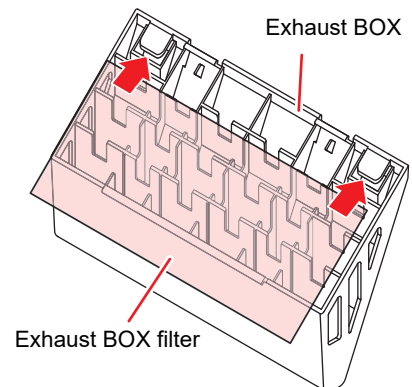


2 Remove the exhaust BOX and exhaust BOX filter.



3 Attach a new exhaust BOX filter.

- Insert the exhaust BOX filter in the exhaust BOX tabs.



4 Return the exhaust BOX.

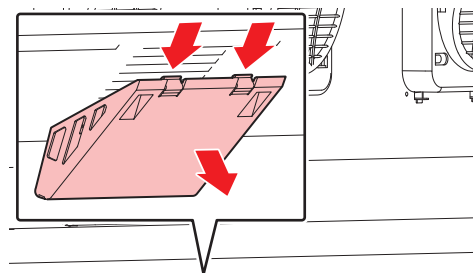
- Engage the exhaust box rear tabs into the machine body, then push in the front part of the box.

(2) Replacing the Exhaust BOX

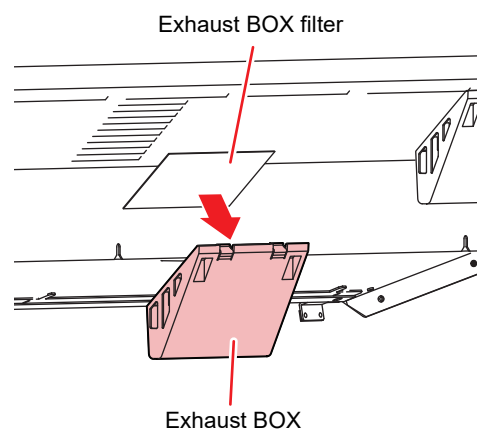
Replace the exhaust BOX (SPA-0248) when it is dirty with ink.

1 Remove the tabs (2 locations) on the exhaust BOX.

- There are tabs engaged at the rear of the exhaust box also.

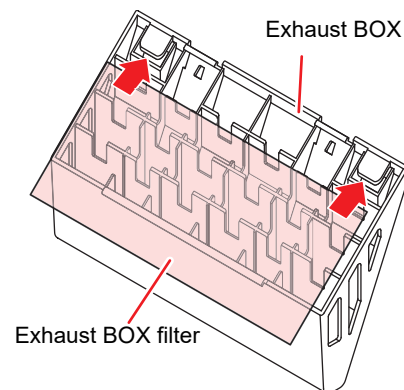


2 Remove the exhaust BOX.



3 Attach a new exhaust BOX filter.

- Insert the exhaust BOX filter in the exhaust BOX tabs.



4 Return the exhaust BOX

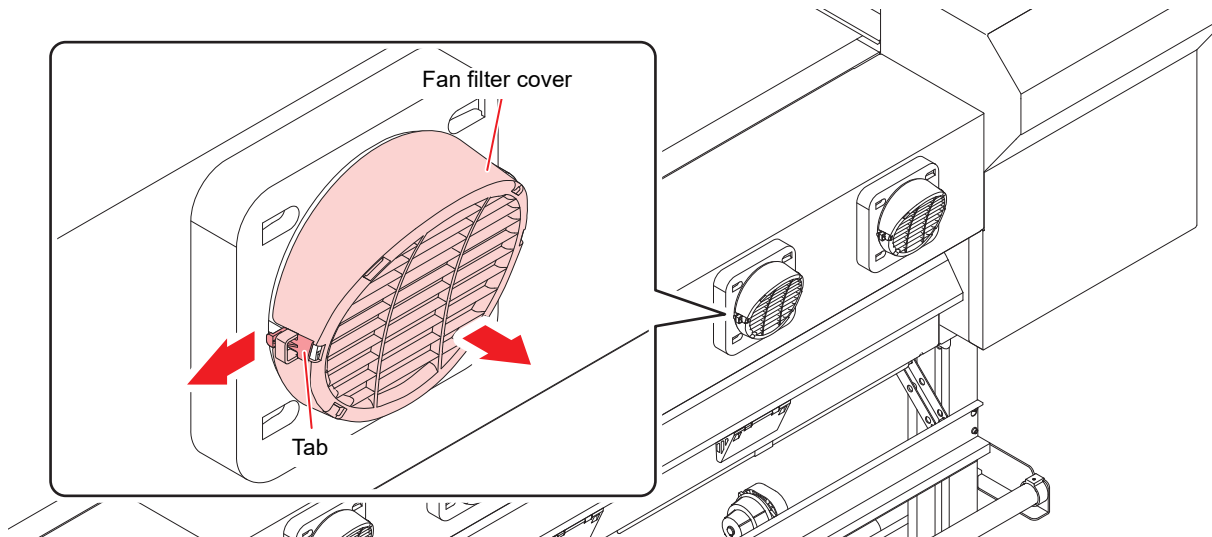
- Engage the exhaust box rear tabs into the machine body, then push in the front part of the box.

(3) Replace the blow down fan filter

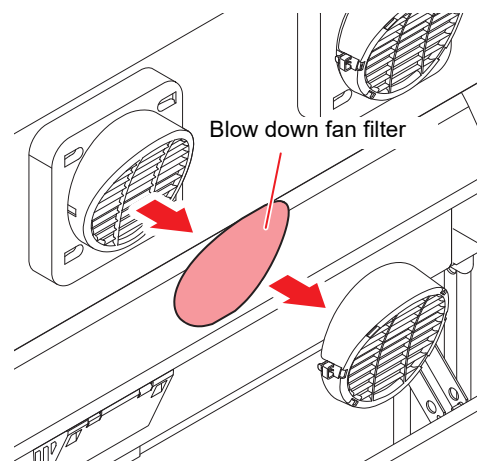
Replace the blow down fan filter (SPA-0774) when it is dirty.

1 Remove the fan filter cover.

- Push the fan filter cover's tab outward, and pull the cover out toward you.

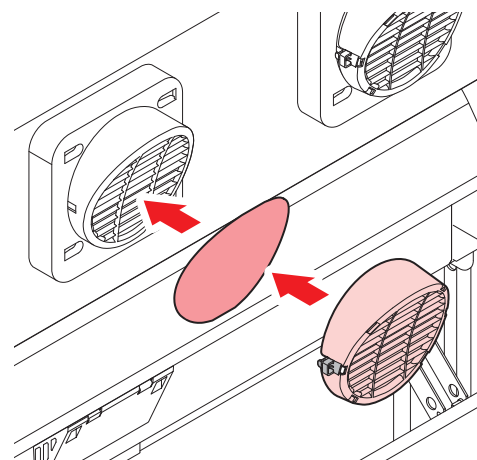


2 Remove the blow down fan filter.



3 Attach a new blow down fan filter and return the fan filter cover.

- Fit the fan filter cover on firmly, so that it clicks into place.



(4) Replace the spout rubber

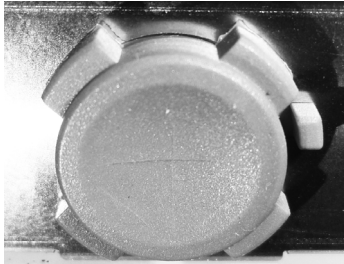
Install the spout rubber in an eco case in order to reduce ink leakage from the 2L ink pack.

The spout rubber is a supplied part. (SPA-0317: Set of 8 spout rubber)

The replacing timing sign of the spout rubber will be shown about once every half-year. Please replace the spout rubber when you see the sign on the display.



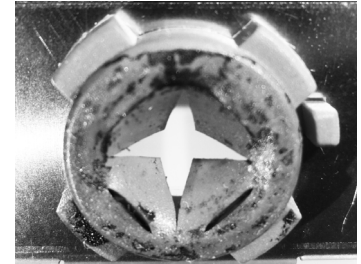
- Replace all eight spout rubber as a set at the same time.
- Depending on the usage environment and usage conditions, the spout rubber may deteriorate within half a year. If the gap in the center expands as shown in the picture, please replace it regardless of if there is a warning message.



The beginning of spout rubber



It is available to use



It is necessary to replace

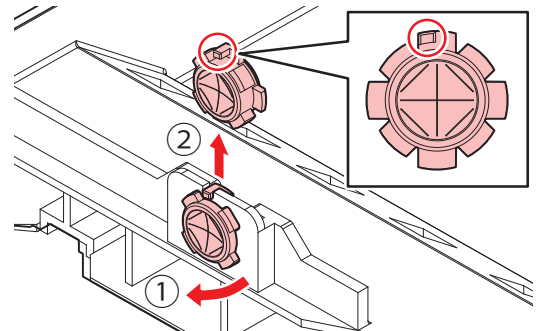
1 Open the 2L eco case.

- Push the fan filter cover's tab outward, and pull the cover out toward you.

2 Remove the 2L ink pack.

3 Remove the spout rubber.

- Press against the top of the spout rubber assy and pull it out vertically.

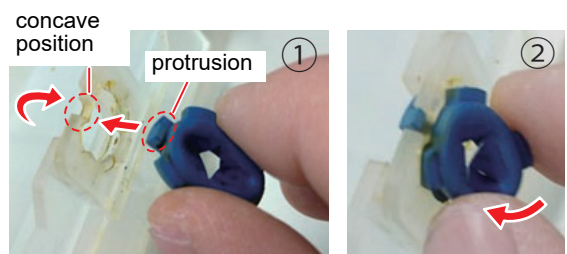


4 Attach the new spout rubber from outside of the eco-case.

- Insert it aligning the positioning protrusion of the spout rubber to the concave position of the eco-case.
- Be careful of the direction of the rubber when installing.
- Push the entire rubber into groove until the spout rubber fits evenly.



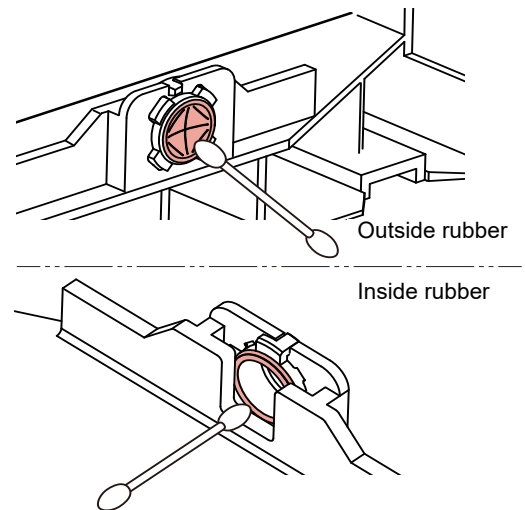
- Bending the entire spout rubber makes it easier to insert from the outside of the case.



The rib don't fit. If it is not seated in the groove correctly, the spout rubber will be damaged.

5 Moisten the surface of the spout rubber with maintenance solution sufficiently before inserting.

- Inserting the rubber into the eco-case without moistening may damage the rubber.
- In that case, use a maintenance solution that is suitable for the ink type.



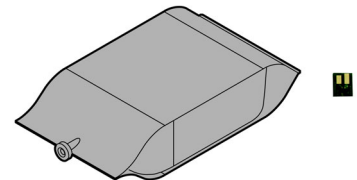
5. Storage of media

Media should be stored in the little dust area, and not in direct sunlight. Avoid storing the media in the area with high temperature and high humidity.

6. Storage of ink pack

Be careful of the followings to store.

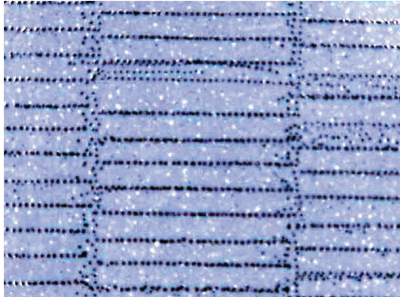
- Store the ink pack in no direct sunlight, and no high humidity.
- As it's a delicate product, do not drop it.
- Ink IC should not be contaminated and discharged static electricity.
- Be sure to store the ink pack and the ink IC together.



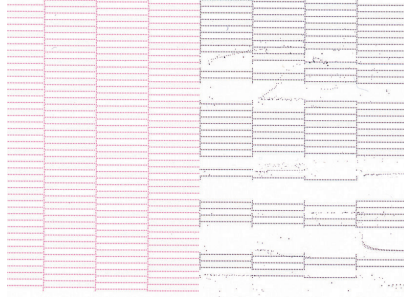
The board mounted on the ink pack

7. The examples of defective printing

These following examples indicate improper head (nozzle) firing by dust, which effect printing. Confirm the nozzle condition periodically before or during outputting not to use in such as this condition. The nozzle condition can be confirmed with [test printing] in this plotter. (Operation manual Chapter 2 “Test Printing”)



1. Deflection



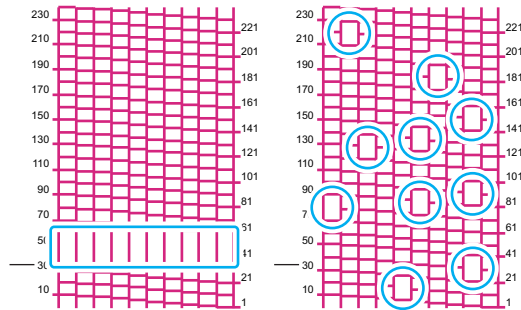
2. Nozzle out



3. Ink dropping



4. Satellite



5. Mixing in air

8. Recovery method of defective nozzle discharge

When this printer has not been used for an extended period of time, or depending on the environmental temperature, the discharge at the nozzles could become unstable. In such a case, the following methods may be taken to recover the status of the nozzles.

For symptoms 1 to 4 in P.13 “The examples of defective printing”

1. Daily maintenance and care

- Perform the cleaning of the parts described in this document.

2. Performing Head Cleaning (normal). Refer to Chapter 2 of Operation Manual.

- After having performed the care and maintenance stated in step 1, perform the cleaning of the heads in accordance with the procedures stated in Operation Manual.

Perform test printing and check
(Chapter 2 of Operation Manual)

In the event nozzle missing etc. have not been improved

3. Performing Head Cleaning (hard). Refer to Chapter 2 of Operation Manual.

- If the nozzle missing does not disappear even after repeating the head cleaning (normal) several times, reset the cleaning mode to "hard" and perform the cleaning again.

Perform test printing and check
(Chapter 2 of Operation Manual)

In the event nozzle missing etc. have not been improved

4. Perform the cleaning of the head nozzles. Refer to Chapter 4 of Operation Manual.

- Perform the cleaning of the head nozzles. In this case, leaving time of the cleaning liquid for maintenance shall be made [1 minute].

Perform test printing and check
(Chapter 2 of Operation Manual)

In the event nozzle missing etc. have not been improved

5. Perform the cleaning of the head nozzles again. Refer to Chapter 4 of Operation Manual

- Reset the leaving time of the cleaning liquid for maintenance to [10 minutes], and perform the cleaning of the head nozzles again.

Perform test printing and check
(Chapter 2 of Operation Manual)



- If the nozzle discharge does not recover even after operating above, contact your local distributor, our sales office, or service center.

9. When the printer is not used for a long period

When the printer is not to be used for a period of one week or above, perform the cleaning of the heads and nozzles and the ink discharging channel before storing this printer.

10. Supplies

To order replacement consumable items, contact your local dealer or our service office.

For more information on other consumable items, refer to our website.

<https://mimaki.com/supply/inkjet.html>

Product Name	Product No.	Product Name	Product No.
Cleaning Liquid 03 MAINTENANCE KIT	ML003-2-K1	Exhaust BOX	SPA-0248
Cutter blades ASSY	SPA-0107	Exhaust BOX filter	SPA-0249
Clean stick for the surroundings of the head 50pcs	SPC-0527	Wiper kit 300 TS	SPA-0271
Waste ink tank	SPA-0246	CP pad set	SPA-0269
Spout Rubber	SPA-0317		

11. Safety Precautions

CAUTION



Make sure to wear the attached **safety glasses and gloves**.



If ink should come into your eyes, immediately rinse with plenty of clean water for more than 15 minutes and rinse thoroughly to the back of the eyelids. Also, please consult a doctor as soon as possible. If ink adheres to the skin, please rinse thoroughly with a large amount of water and soap or skin detergent.



The ink, if mixed with water or alcohol, generates condensed substances. Pay attention not to deposit water or alcohol to the nozzle surface, surrounding area of the heads, caps and wipers.



To secure the stability of the ink discharge, when the printer is not used (output) for an extended period of time, it could become necessary to discharge periodically a small amount of ink (flushing), depending on the kinds of the ink.

When not using for an extended period of time, execute the [CUSTODY WASH] function of this equipment, ("When the Machine Is Not Used for a Long Time (CUSTODY WASH)" Chapter 4 of Operation Manual) and put off the power switch on the front, only. Leave the main power switch at the side of the equipment on and keep the cable socket inserted into the plug.



Never disassemble this machine. It could cause electrical shock, fire and breakage.



Keep away the moisture from the inside of this machine. If the inside is moistened, it could cause electrical shock, fire and breakage.



Perform the maintenance and care after switching off the power and taking off the power cable. Otherwise, it could cause unexpected accidents.



Avoid using benzine, thinner, and chemicals containing abrasive compounds. The surface of the cover could be degenerated or deformed.



Do not supply lubricant oil etc. to the inside this machine. It could cause the breakdown of this machine.

12. Installation environment

- Use this printer as much as possible in a dust-free environment. Fans and air-blowers could cause the dustspewing.
- The using environment of this printer is from 20 to 30°C (68°F to 86°F) in temperature and from 35 to 65 % in relative humidity. Avoid the use of this printer at a temperature and humidity higher or lower than the indicated ranges.



You can also download the latest manual from our website.

© 2015 MIMAKI ENGINEERING CO., LTD.

D202871-13-08052021

AT
FW : 3.60